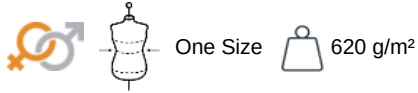


KI0187

## Waterproof backpack with compression straps

- Keeps personal belongings dry.
- Keeps the contents of the bag in place.
- Integrated safety whistle.

100% polyester. 100% waterproof backpack with compression straps to stabilise the contents. Roll-top fastening system. Front pocket with zip, 100% waterproof. Comfortable and breathable straps. Safety whistle integrated in the chest strap. Ideal for water sports or motorcycling. Average weight size L : 0.00000g.



### More information

#### Logistic



#### Country of origin



#### Customs code



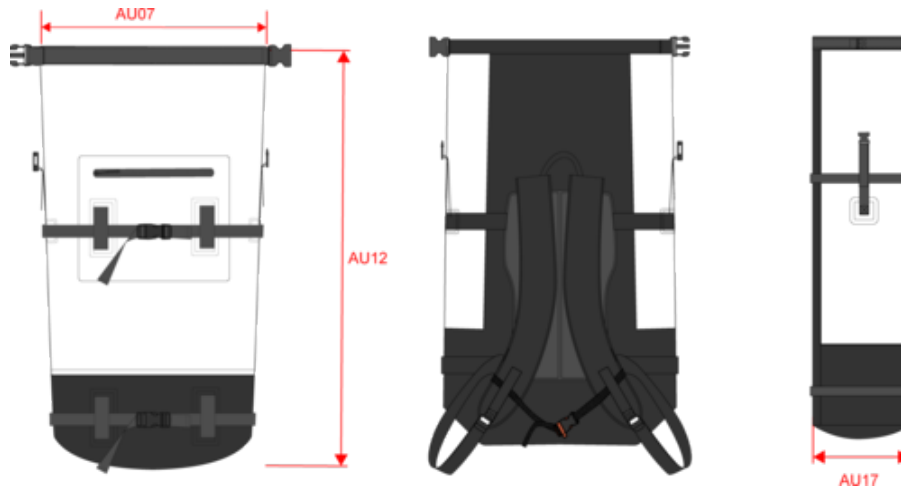
#### Washing instructions



KI0187

## Waterproof backpack with compression straps

### Dimensions (cm)



Measurements in cm	One size
AU07 - Total width	45.00
AU12 - Total height	66.00
AU17 - Total depth	17.00



KI0187

## Waterproof backpack with compression straps

### Colours information



**Red**

RVB : 195,32,54  
Pantone C : 200C  
Pantone TCX : 19-1664TCX

**Black**

RVB : 35,35,37  
Pantone C : Black  
Pantone TCX : 19-4004TCX

### Logistic



1



10

Sizes	Width (cm)	Height (cm)	Length (cm)	Net weight (kg)	Gross weight (kg)	Pieces/Box	Pieces/Bundle
One Size	42.00	27.00	47.00	9.23000	10.17000	10	0